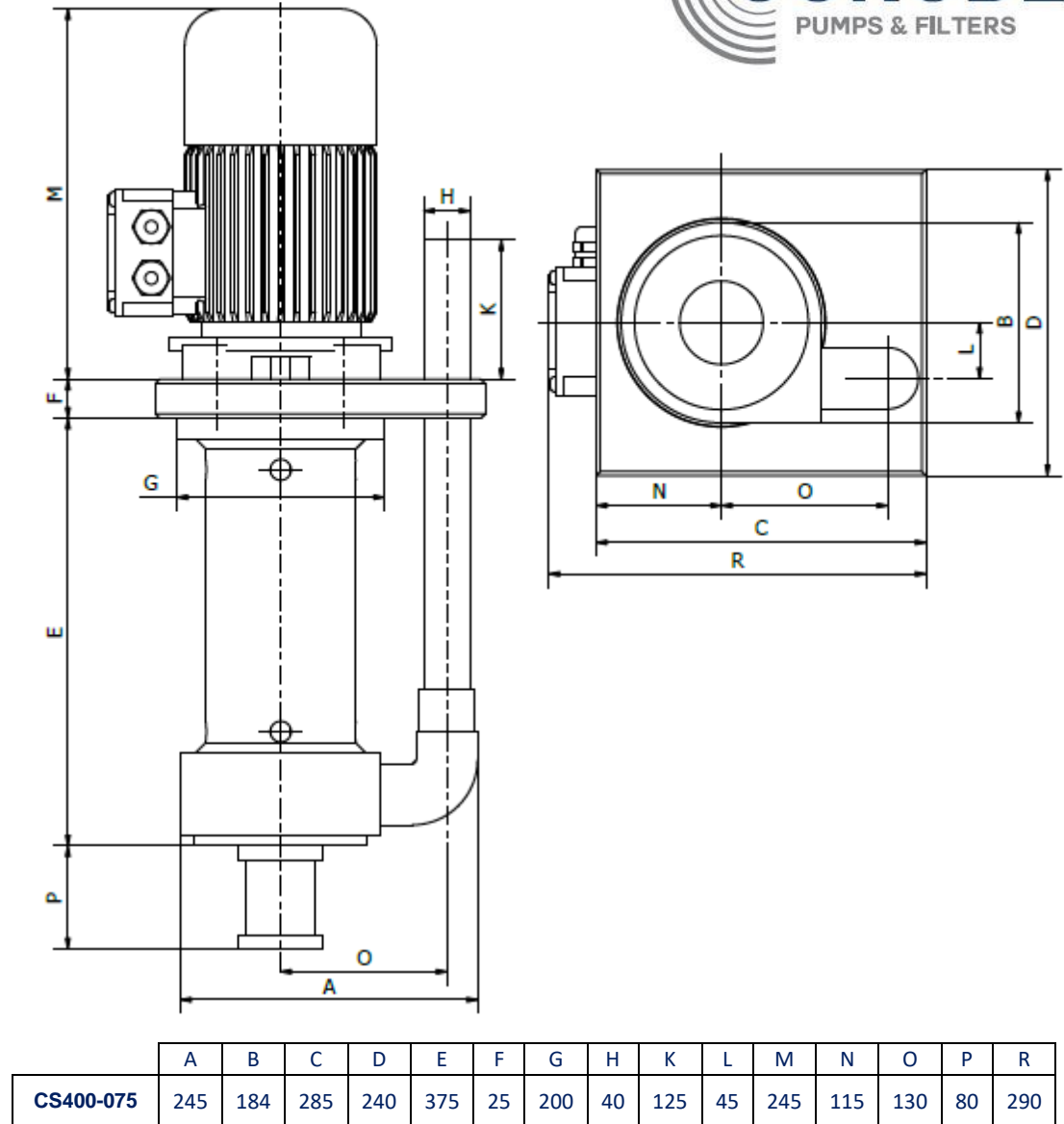
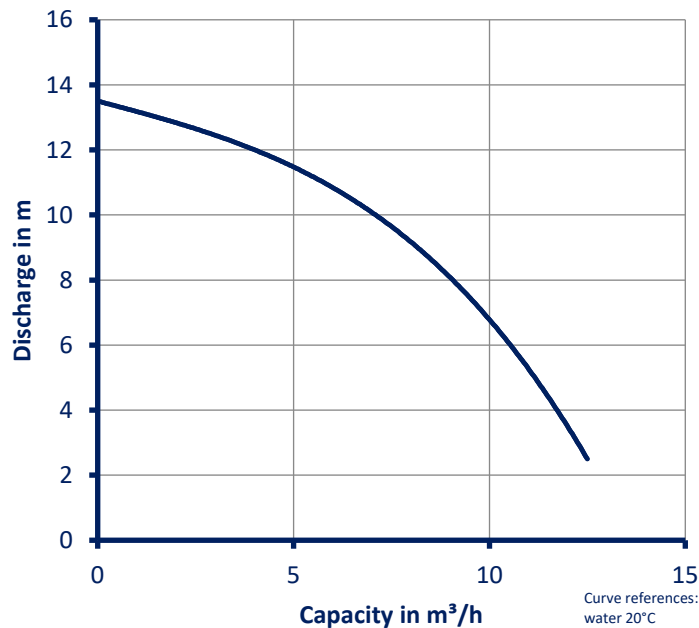


Technical data Corode CS vertical pump

CS400-075 PP/ PVDF

Materials available :PP or PVDF
 O-ring :EPDM or Viton
 Max. flow :12.5m³/h
 Max. head :12.6m.
 Max. temperature :PP 75°C; PVDF 90°C
 Motor :0.75kW, 230/400V, 2.6/1.48Amp, 3Ph, 50Hz, IP55

CS400-075



www.corode.eu
 tel: +31 (0)161-244250
 corode@corode.nl